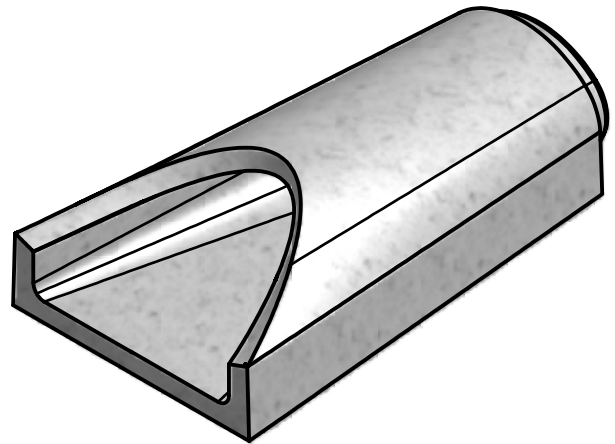
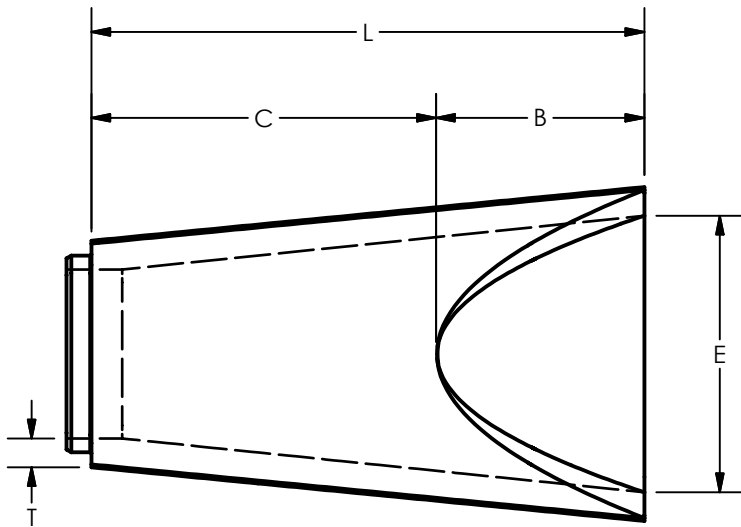
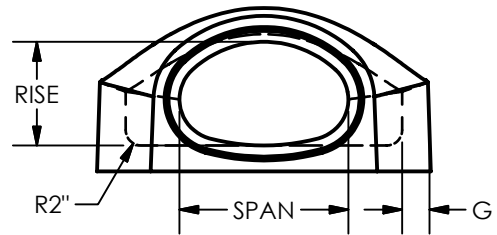
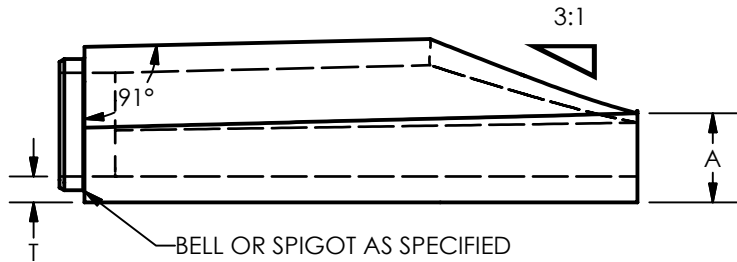


EQUIVØ	RISE	SPAN	T	A	B	C	L	E	G	TONS
18"	13.5000"	22.000"	3.375"	11.59375"	27"	45"	72"	36"	3.375"	0.89
24"	18.0000"	28.500"	3.750"	12.90625"	39"	33"	72"	48"	3.750"	1.19
30"	22.5000"	36.250"	4.250"	15.50000"	48"	24"	72"	60"	4.250"	1.61
36"	26.6250"	43.750"	4.750"	16.81250"	60"	36"	96"	72"	4.750"	2.88
42"	31.3125"	51.125"	5.250"	22.87500"	60"	36"	96"	84"	5.250"	3.72
48"	36.0000"	58.500"	5.340"	28.96875"	60"	36"	96"	84"	5.340"	4.59



MATERIALS:

CONCRETE: 4,000 PSI, TYPE I/II CEMENT

PARTS SHOWN:

Ø18" ARCH FLARED END SECTION (SPIGOT)



REINFORCED CONCRETE PIPE

ARCH FLARED END SECTIONS

3.10